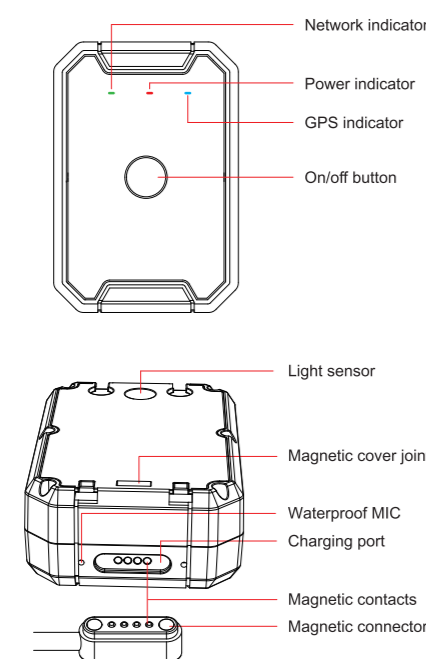


1.Contents

- Product overview
- Standard parts list
- Specification
- LED indication
- Charging
- Product Setup
- Configure the device
- Commands list
- Voice Monitoring
- Installation recommendation
- Web Platform and App
- Troubleshooting
- Warranty instructions

2. Product overview



- GPS + WIFI + LBS positioning
- Real-time location query
- Geo-fence alert
- Vibration alert
- Tamper alert
- Strong magnet cover
- 6,000mAh battery powered
- Magnetic charging
- IP67 dust and water resistant
- Bluetooth configuration
- Double MIC

3. Standard parts list

Item	Quantity
Device	1
Magnetic cover	1
User guide	1
Charger	1
Charge cable	1
Collar	Optional

4. Specification

Frequency band	JM-LL02(E)	LTE Cat1:B1/B3/B5/B7/B8/B20/B28 GSM:850/900/1800/1900MHz
	JM-LL02(A)	LTE Cat1:B2/B4/B5/B12/B13 WCDMA:B2/B4/B5
TTFF (opensky)	Avg. Cold start: <40sec ; Avg. Hot start: <1sec	
Location accuracy	< 10m	
Dimensions	85 X 58 X 29 mm	
Weight	158 g	
Backup Battery	6000 mAh, 3.7V Li-Polymer battery	
Operating Temperature	-20°C to +70°C	
Transmit Protocol	TCP	

5. LED indications

Power Status (Red)	Indicator
Quick flicker (0.3s on, 0.3s off)	Low battery
Moderate flicker (1s on, 3s off)	Fully charged
Slowflicker (0.1s on, 3s off)	Normally working
Solid on	Charging
Solid off	Low battery voltage or battery failure

GNSS Status (Blue)

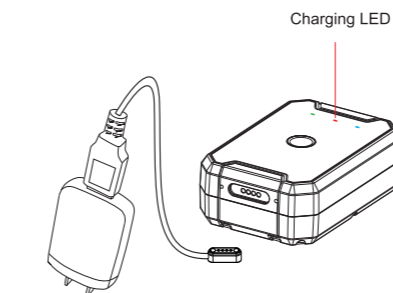
Quick flicker (0.3s on, 0.3s off)	Searching GPS
Slow flicker (0.1s on, 3s off)	GPS connected successfully
Solid off	GPS is in sleep mode, or not active

Network Status (Green)

Quick flicker (0.3s on, 0.3s off)	GSM initializing
Moderate flicker (1s on, 3s off)	GSM connected successfully
Slow flicker (0.1s on, 3s off)	GPRS online
Solid on	Calling
Solid off	No GSM signal/ No SIM card

6. Charging

Please charge the device by original charger. It takes about 3 hours to fully charge the device.



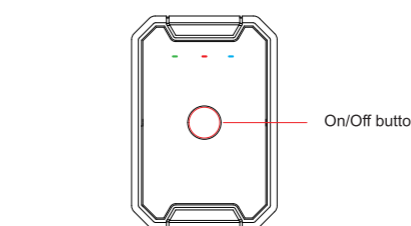
7. Product setup

Insert SIM card: Please use a screw driver to remove the screws and open the case to insert a SIM card (Size: Nano).



Power on: Press and hold the ON/OFF button for 3 seconds, and the LEDs will flicker regularly if the device power on successfully.

Power off: Press and hold the ON/OFF button for 3 seconds and the LEDs will be off in 2 seconds.



Note:

- Press the ON/OFF button and the LED will flicker for 15 seconds if the device power on successfully.
- Press the ON/OFF button and nothing will happen if the device power off successfully.

8. Configure the device

Method 1:

Use your mobile phone to send commands to the device SIM card number by SMS, please refer details of the commands in Commands list section.

Method 2:

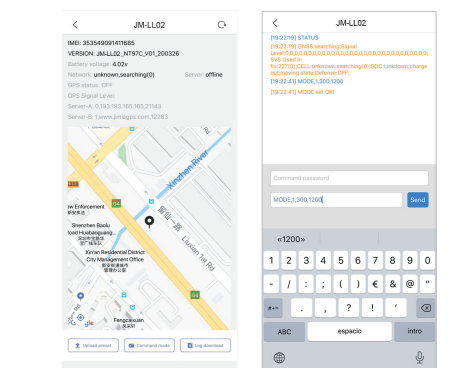
1. Download and install the "Jimi IoT Lab" app by the following link: <http://d.6short.com/lnbr>



2. Make sure the Bluetooth is enabled on your iPhone, choose Connect on landing page.



3. Power on LL02 and then short press the power button for 3 times, the device name will automatically show on Connect page, tap on it to connect.



4. After the device is connected successfully, you can view the basic data of the device, click "Command mode" button at the bottom can enter the command setting page.

5. Type and send the command to query and and make configurations. The device has no password by default, you can set password (See details in command list) to secure the device. If the password has been set, each command will need to be sent with the password filled.

6. In "Jimi IoT Lab" app landing page, you can create a template with multiple commands in Presets page, when the device is connected you can tap the "Upload preset" button instead to send multiple commands that you created in Presets at a time.

9. Command List

Command	Usage	Instructions
APN	Set APN	APN, ApnName# or APN, ApnName,User,Password# Auto set APN will be turned off when set APN manually. APN# Query current APN
ASETAPN	Auto set APN	ASETAPN,X# X=ON/OFF; ON: Enable auto set APN, OFF: Disable auto set APN ASETAPN# Query auto set APN settings
ASETGMT	Auto set time zone	ASETGMT,<X># X=ON/OFF; ON: Enable auto set time zone, OFF: Disable auto set time zone ASETGMT# Query auto set time zone settings
SERVER	Platform server setting	SERVER,1,domain name,port# SERVER,0,IP,port# Default: SERVER,1,GPSDEV. TRACKSOLID.COM,21102# SERVER# Check the current sever settings

Command	Usage	Instructions
GMT	Time zone setting	GMT,A,B,C# A: E/W; E for eastern, W for western; Default: E B: 0-12; time zone; Default: 8 C: 0/15/30/45; half time zone; Default: 0 GMT# Query current time zone setting
MODE	Set working mode	MODE,A,T1,T2# A=1-2; 1: Tracking mode, 2: Ultra power saving mode; Default: 1 When A=1, T1: Report interval of GPS data in moving status, range: 10-3600 seconds; default: 10 T2: Report interval of GPS data in static status, range: 180-86400 seconds; default: 0 When A=2, T1: start time of the report, format: HH:MM T2: time interval, range: 1-72 hours, default: 24 MODE# Query the current working mode setting
HBT	Heartbeat packet interval	HBT,T# T=1-10 minutes, heartbeat packet interval, Default: 3 Minutes; HBT# Query the current heartbeat interval

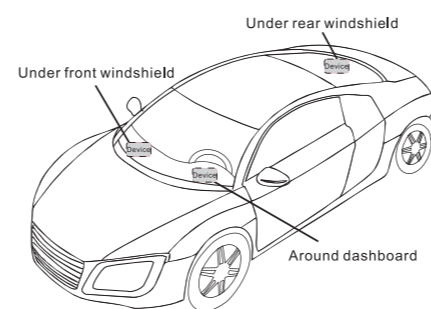
Command	Usage	Instructions
PWDSW	Set command password	PWDSW,A# A=ON PWDSW,A,B# A=Numbers and alphabets, 1-19 digits; Default: 666666 B=OFF When PWDSW is ON, all the command has to send with the password as the first parameter, e.g.: MODE,666666,1,30,30# PWDSW# Query current password setting
PASSWORD	Modify command password	PASSWORD,A,B# A=Old password, Default: 666666 B=New password
CENTER	Set center number	CENTER,A,Number 1,Number 2, Number 3# Add center number CENTER,D,1, 2, 3# Delete center number according to the serial ID CENTER,D,Number# Delete center number according to the matched number CENTER# Query the current center number

Command	Usage	Instructions
PWRLIMIT	Power OFF limitation	PWRLIMIT,ON# X=ON/OFF; ON: Not allow to power off with the device button, OFF: Allow to power off with the device button; PWRLIMIT# Query the current PWRLIMIT setting
RESET	Reboot the device	RESET# The device will reboot in 20 Seconds when receive this command
FACTORY	Recover the settings to factory	FACTORY# Recover all the settings to factory (Except server and APN) Query the current center number
PARAM	Query device parameters	
GPRSSET	Query platform server and APN Setting	
STATUS	Query status	

10. Voice monitoring

When center number sends monitor command: MONITOR# to the device, the device will reply "OK" and call the center number. After the call connected, the terminal will enter monitor condition. The center number can hear the sound around the device. For more operation, please refer to the command list section.

11. Installation recommendation



- The device should face up to the sky.
- Metal thermal barrier or heating layer of the windshield affects the signal. Please change installation position to receive better signal.

12. Web Platform & App

- Please login the designated service platform provided by your distributor to track and operate the device.
- Please download and install the APP in designated website, iOS App store or Google Play store.

13. Troubleshooting

Type	Use
Unable to connect to tracking platform	Check the APN and IP settings. Check whether the data service of SIM card is enabled. Check the balance of SIM card.
Tracker shows offline	Check if the device entered network blind area. Check the balance of SIM card.
Unable to locate	Make sure the top side facing upward without metallic things shielded. Make sure it's not in area with no satellite coverage.
Unable to boot	Check whether the battery is exhausted. Check whether the SIM card is inserted.
No command reply	Make sure command format is correct. Vehicle may be in network blind area.

Warranty instructions and service

- The warranty is valid only when the warranty card is properly completed, and upon presentation of the proof of purchase consisting of original invoice indicating the date of purchase, model and serial No.of the product.
We reserve the right to refuse warranty if this information has been removed or changed after the original purchase of the product from the dealer.
- Our obligations are limited to repair of the defect or replacement the defective part or at its discretion replacement of the product itself.
- Warranty repairs must be carried out by our Authorized Service Centre. Warranty cover will be void, even if a repair has been attempted by any unauthorized service centre.
- Repair or replacement under the terms of this warranty does not provide right to extension or renewal of the warranty period.
- The warranty is not applicable to cases other than defects in material, design and workmanship.

Maintenance Record

Date	Serviced by
Product Model	
IMEI Number	
Fault Descriptions	
Comments	

JM-LL02 LTE CAT 1 ASSET TERMINAL USER MANUAL