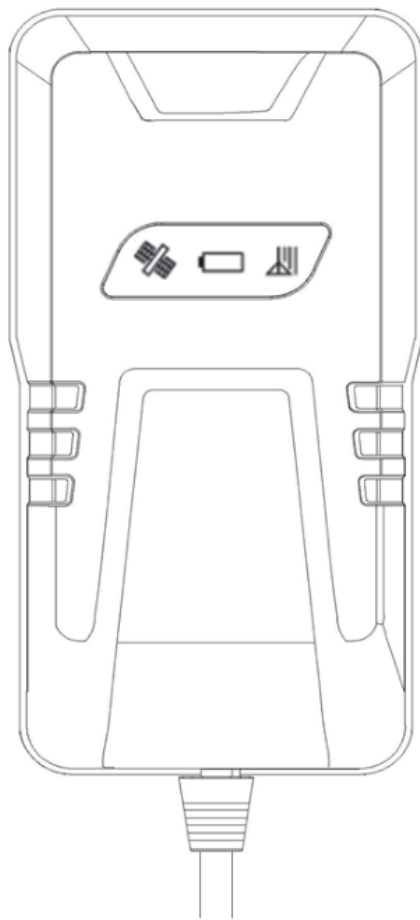


GSM/GPRS/GPS Tracker

G05N User Manual



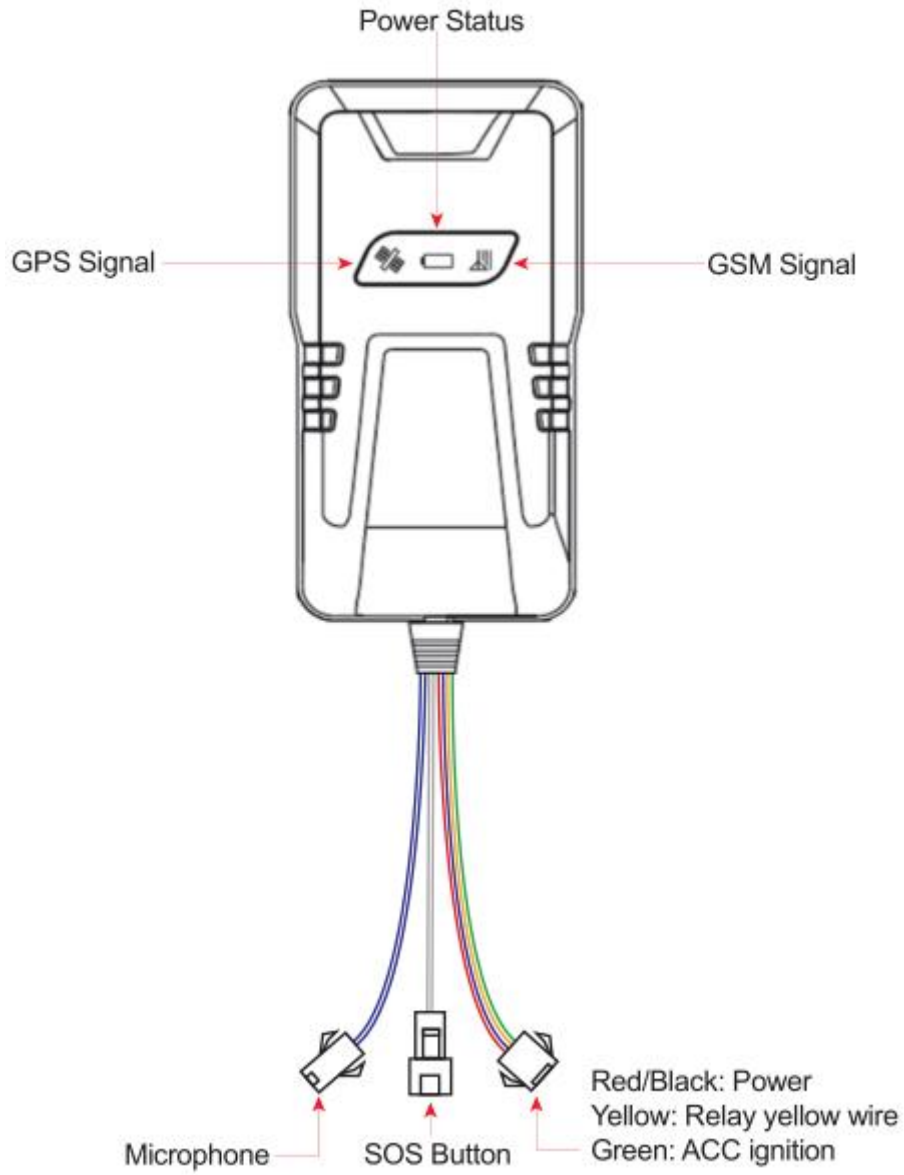
1. Main Functions

- ◇ Real time tracking
- ◇ ACC status detection
- ◇ Speeding/Geo-fence alert
- ◇ Vibration/Power cut-off alert
- ◇ Remote control fuel or electricity
- ◇ Angle change upload location
- ◇ Memory storage when GSM signal lost
- ◇ SOS panic button for emergency alarm
- ◇ Voice listen with external microphone

2. Specifications

Content	Specs.
Dim.	90 (L) x49.3(W)x16.7(H)
Weight	50g
Network	GSM/GPRS
Frequency	850/900/1800/1900 MHz
GPS chipset	MTK high sensitivity chip
GPS channel	66
Tracking sensitivity	-165dBm
Location accuracy	<10 meters CEP
Time To First Fix(open sky)	Cold status <35s Hot status <1s
Working voltage	9-36VDC
GPRS Protocol	Class12, TCP/IP
Operating temp.	-20 °C to +70 °C
Back up battery	200mAh /3.7V Li-Polymer battery
Standby & Working consumption	5mA~50mA
GSM / GPS antenna	Built-in
G-Sensor	Support
Geo-fence	Support
Angle change upload location	Support
Ignition status detection	Support
Memory Capacity	1400 positions
Micro USB interface	Flash firmware/Configuration
I/O	Relay to disable fuel
	Panic button for SOS alarm
	Microphone
Configuration Mode	PC – USB/GPRS /SMS
Power interface	4 PIN(Power/ACC/Relay) 2PIN(SOS) 2PIN(MIC)
Water resistance	IP65
Certification	CE,FCC approved

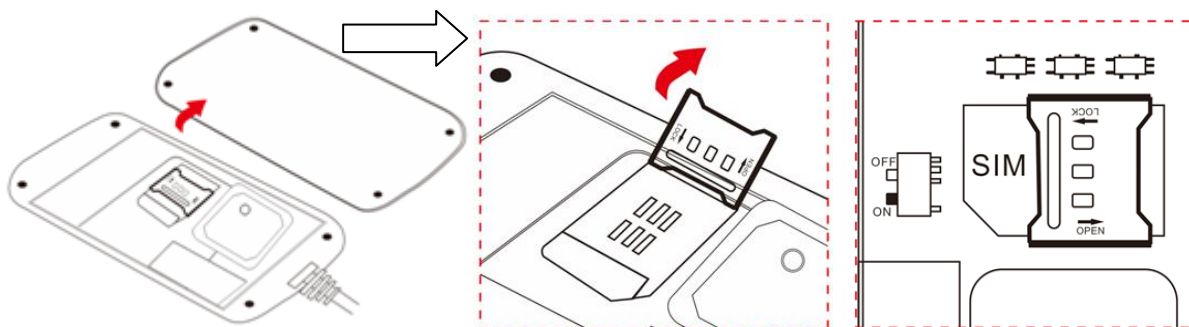
3. Appearance



4. Install SIM Card

Preparation: insert 2G GSM SIM card with activated GPRS data; Make sure SIM card with full balance; If SIM card with PIN code, must remove it advance.

- Open back cover from the small hole near shell edge → Take off screws as below → Switch ON/OFF button to “on” place

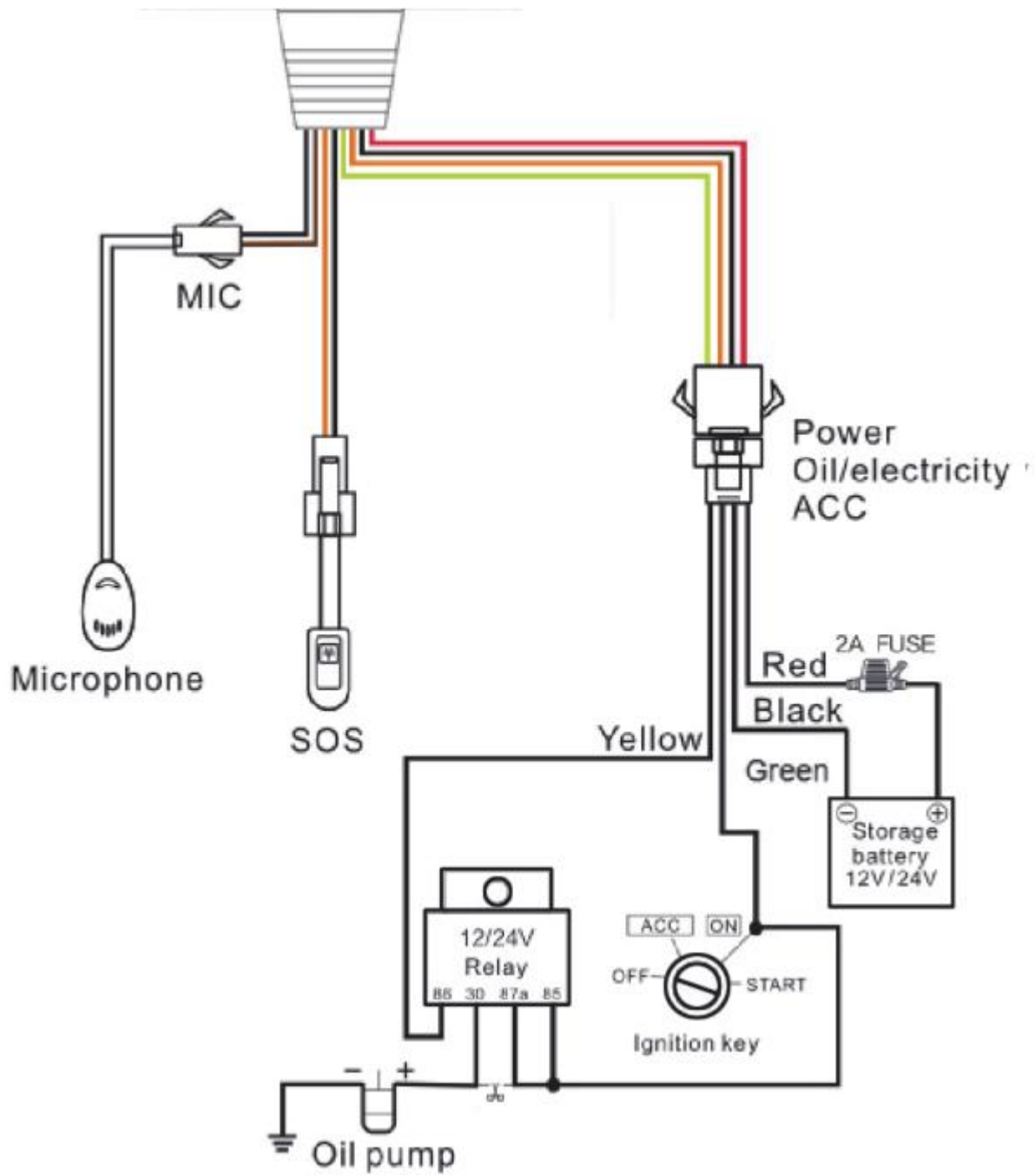


5. Device light description

LED indicator	Signal	Working status	Not Working status
Red light	Power status	Stable light on	Flashing : check if connected power
Green light	GSM signal	Stable light on	Flashing: check if proper insert SIM
Blue	GPS signal	Stable light on	Flashing: check if working outdoor

Note: Device will turn into sleep mode with lights off after around 3 minutes, it will wake up if make a call to device number or detect any vibration.

6. Wires connection

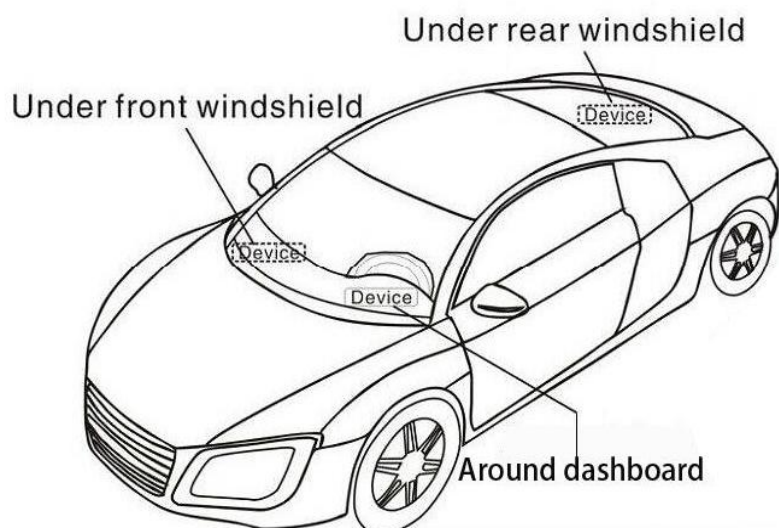


Wiring Table

Line	Color		Description
1	Red	PW+	12V/24V car battery positive
2	Black	GND	12V/24V car battery negative
3	Green	ACC	ACC ignition
4	Yellow	RELAY	Relay for cut fuel
5	Blue	Two blue wires	Microphone
6	White	Two white wires	SOS button

7. Installation

The device has built-in GSM and GPS antenna, make sure front side upward and there is no metal shielding.



Start to Use

Note: All Alarms only will be sent to Central Number Only

Don't input "+" "space" , it's for better explain. Default password 123456

Function	SMS Command
Set APN	apn123456+space+localApn+space+ApnName+space+ApnPassword
Set IP Port	adminip123456+space+IP+space+port
Google link	smslink123456
Cut off fuel or power	DY123456+space+1
Resume fuel or power	TY123456+space+1
Check device status	check123456
Set center number	centernum123456+space+phone number
Cancel center number	centernum123456
Set Power Cut alarm	extpower123456+space+1
Cancel Power Cut alarm	extpower123456+space+0
Authorization number	admin123456+space+cell phone number
Cancel authorization	noadmin123456+space+number
Time Zone Setting	timezone123456+space+(timezone*60) Eg, GMT-6, SMS "timezone123456 -360".
Set Time Interval	ITV123456+space+upload time interval(s)
Set overspeed alarm	speed123456+space+80
Cancel overspeed alarm	speed123456+space+0

Set ignition on alarm	ACC123456+space+1
Cancel ignition on alarm	ACC123456+space+0
Cancel vibration alarm	vibrate123456+space+0
Set vibration level	vibrate123456+space+1
Set APP alarm	KC123456+space+1
Set APP+SMS alarm	KC123456+space+2
Set APP+SMS +PhoneCall alarm	KC123456+space+3
Activate GPS sleep mode	Allgps123456+space+0
Cancel GPS sleep mode	Allgps123456+space+1
Change Password	password123456+space+new password
Initialize factory setting	begin123456

Voice listen & Calling Alert function

Make sure preset center number before starting.

1) Send SMS command “monitor123456” to switch to voice listen mode.

Make a call to device phone number to enter listening mode.

Send SMS command “tracker123456” switch back to track mode.

2) Send SMS command “KC123456 3” to activate calling alert. When alarm triggered, device will call center number automatically to reminder the alert.

◆ Web platform GPS tracking software

Website: www.secumore1818.com

Default IMEI as user name, password 123456.

Download android & IOS APP : secumore1