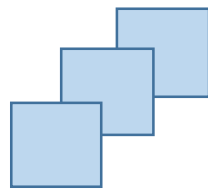


FIFOTRACK VEHICLE GPS TRACKER




Model: S30

Version: V1.1

www.fifotrack.com

Copyright and Disclaimer

- ⦿ All copyrights belong to Shenzhen fifotrack Solution Co., Ltd. You are not allowed to revise, copy or spread this file in any form without consent of fifotrack.
- ⦿  is trademark of fifotrack, protected by law.
- ⦿ Please read this user guide carefully before installation to avoid any possible personal injury or property loss.

Revision History

Version	Author	Revision Date	Details
V1.1	Cici Wu	Dec 10, 2017	Initial revision

Related Files

Version	File	Remarks
V1.1	<fifotrack S30 Command List>	Command details of GPRS/SMS/COM
V1.1	<fifotrack A01 GPRS Protocol>	GPRS communication protocol between tracker and server
V1.1	<fifotrack Parameter Tool User Guide>	PC software tool for parameters configuration
V1.1	<USB Cable Driver Installation Guide>	How to install USB cable driver
V1.1	<Firmware Upgrade Guide>	How to upgrade firmware
V1.1	<fifotrack Fuel Sensor AS10 User Manual >	How to use AS10 fuel sensor
V1.1	<fifotrack Vehicle Original Fuel Sensor Solution User Guide>	how to use original fuel sensor
V1.1	<fifotrack Digital Temperature Sensor User Guide>	How to use digital temperature sensor
V1.1	<fifotrack iButton User Guide>	How to use iButton
Download link: http://www.fifotrack.com/Support/Userguide/		

Related Software

Version	Software	Remarks
V1.0	< Parameter Tool >	Parameter configuration tool on PC
V1.11.0	< PL2303_Prolific_DriverInstaller >	Driver for USB cable
V1.0	< Firmware Upgrade Suite>	Tool for firmware upgrade
V1.0	< GPRS Command Generator>	Generating GPRS commands for FIMS tracking software
Download link: http://www.fifotrack.com/Support/Userguide/		

Video Guide Link

<http://www.fifotrack.com/Support/video.html>

Marketing Materials Download Link

<http://www.fifotrack.com/Support/marketing.html>

Contents

1 Product Overview	6
2 Product Functions	6
2.1 Tracking Functions	6
2.2 Alarms.....	6
2.3 Other Functions	7
3 Product and Accessories.....	7
3.1 Standard Packing Box.....	7
3.2 Optional Accessories.....	8
4 Product Appearance.....	8
5 PCB Overview.....	9
6 LED Light	9
7 Specification	10
8 First Use	10
8.1 Installing the SIM Card.....	10
8.2 GPS Antenna	11
8.3 Tracking by Calling	12
8.4 SMS Reply Content Example.....	13
8.5 Tracking by SMS Command - C01	14
8.6 Configuration on PC.....	15
8.7 Platform Tracking.....	16
9 Device Installation.....	16
9.1 I/O Installation	16
9.2 Power/Ground Cable	17
9.3 Positive/Negative Digital Input (IN1/IN2)	17
9.4 Analog Input(AD1)	18
9.5 Output control (OUT1).....	18

1 Product Overview

S30 is a model which is suitable for vehicle, motorcycle, boat, asset tracking, etc.

Support original fuel sensor solutions, temperature sensor and iButton.

Power input range is 8-92V with industrial design.

Internal GPS/GSM antennas, IP66 waterproof, 2 digital input, 1 analog input and 1 output.

S30 uses Own FIFOTRACK A01 GPRS PROTOCOL which is simple and practical, this enables the customers to integrate protocol into their own platform efficiently.

S30 is being offered 2 years warranty to customers.

2 Product Functions

2.1 Tracking Functions

- GPS+GSM Base Station Dual Tracking
- Real Time Tracking
- Time Interval Tracking
- Distance Tracking
- Direction Change Tracking
- Mobile Phone Tracking

2.2 Alarms

- SOS Alarm
- External Power Cut Alarm
- Engine/Door Status Alarm
- Maintenance remind
- GEO-Fence Alarm
- Speeding Alarm
- Vibration Alarm
- Idling Alarm
- Fatigue Driving Alarm
- Harsh Acceleration Alarm
- Harsh Braking Alarm
- Parking Overtime Alarm
- Internal Battery Low Alarm

- External Battery Low Alarm
- Fuel Theft Alarm
- Fuel Filling Alarm
- Low Fuel Level Alarm
- High Fuel Level Alarm
- High Temperature Alarm
- Low Temperature Alarm
- Login Alarm
- Log out Alarm
- Illegal Login Alarm

2.3 Other Functions

- Waterproof IP66
- 8 MB Flash Memory
- Custom Digital Input (input1)
- Uploading Mode Settings for ACC ON/ACC OFF
- Roaming Time Interval Setting
- Mileage
- Low Auto Battery Protection
- OTA (protocol file available, not available on FIMS tracking software yet)
- Stop Car Remotely (optional, with relay)
- Fuel monitoring and Fuel Consumption Statistics (optional, with AS10 fuel sensor)
- Vehicle original fuel sensor solution (some customers name built-in fuel sensor)
- Temperature monitoring (Optional, with temperature sensor)
- Driver management (Optional, with iButton)

3 Product and Accessories

3.1 Standard Packing Box



3.2 Optional Accessories



USB Cable



Relay



AS10 Fuel sensor



Door Sensor



Temperature Sensor



iButton

4 Product Appearance



Overview



Side view

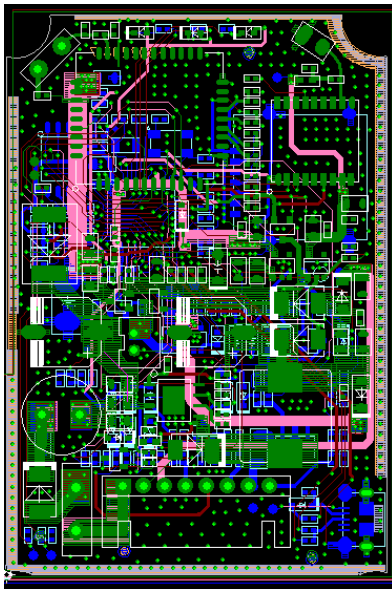


Front view



Rear view

5 PCB Overview



6 LED Light

GPS Light (Green)	
Off	Power off or sleep
Flash 0.1s on and 3S off	GPS valid
Flash every 0.1s	GPS antenna cut
Flash 2s on and 2s off	No GPS signal
Solid On	GPS module power problem
GSM Light (Orange)	
Off	Power off or sleep
Flash 0.1s on and 3s off	GSM available
Flash every 0.1s	Device is initialing
Flash 2s on and 2s off	No GSM
External Power Light (Red)	
Off	External power cut
Flash every 0.1s	External power low
Solid On	External power normal

7 Specification

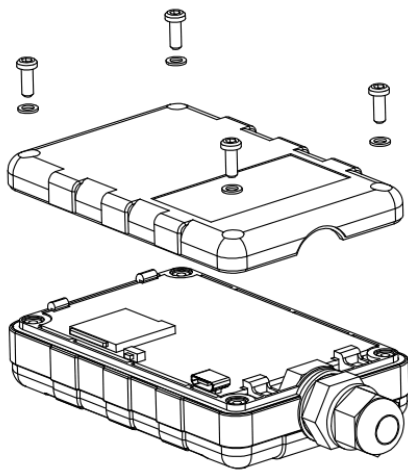
Item	Specification
Dimension	80*53*21mm
Weight	157g
GSM Module	SIMCOM800C
GPS Module	U-blox7Q
Input Voltage	DC 8~92V/1.5A
Internal Battery	300mAh/3.7V
Power Consumption	30-35mA standby current
Internal Battery Life	6 hours in sleep mode, and 2.5 hours in normal working mode.
Operating Temperature	-20°C~70°C
Humidity	5%~95%
LED Light	3 LED lights indicating GPS/GSM/External power status
Button/ Switch	1 power switch (inside case)
Flash Memory	8MB (GPRS data 20400 units, SMS data 320 units)
Sensor	3D Acceleration Sensor
GSM Frequency Band	GSM 850/900/1800/1900MHz
GPS Sensitivity	-161dBm
GPS Start Speed	Cold start 35s Hot start 1s
Position Accuracy	10m
I/O Port	2 Digital inputs – input1 is smart input, can be configured to negative or positive input, default is negative. Input2 is positive input for ACC. 1 Analog input, voltage range is 0-12V 1 Output 1 iButton 1 DC5V_OUT 1 USB port (inside case)

8 First Use

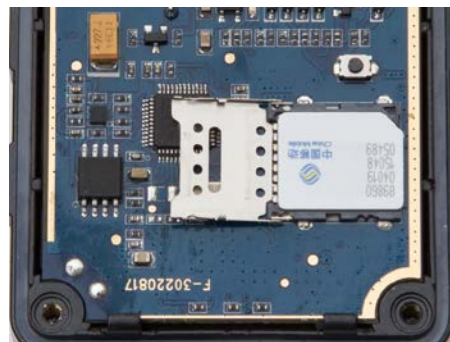
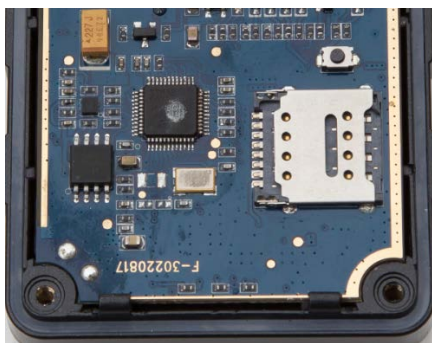
8.1 Installing the SIM Card

- S30 is 2G tracker. Make sure the SIM card is compatible with 2G.

- SIM card is Micro type, 15*12mm.
- Ensure the SIM card has enough balance.
- SIM card should have GPRS data plan for platform tracking.
- Ensure PIN code has been closed.
- Authorization SOS numbers can't work well if SIM card doesn't have caller ID service. E.g.: device can't reply SMS to authorization SOS number because SIM card can't identify incoming call.
- Turn off device before SIM card installation.



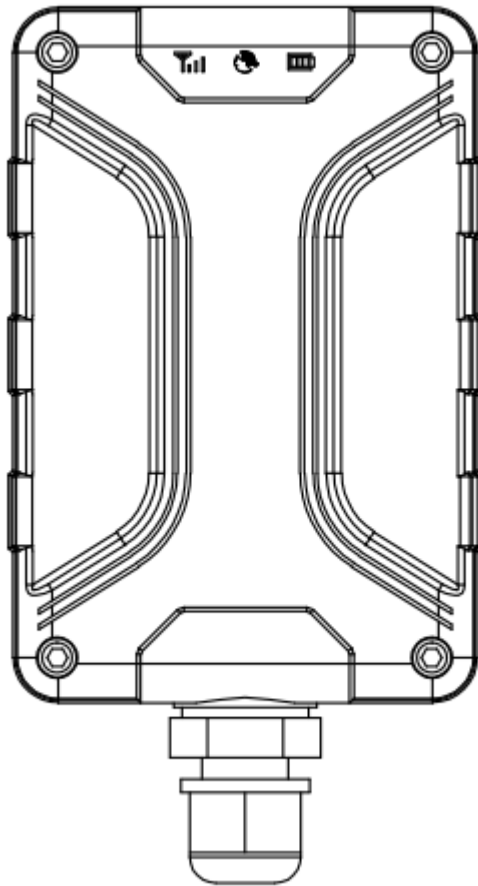
Unscrew and open the rear cover case



8.2 GPS Antenna

Top side of S30 should face Sky for better GPS signal.

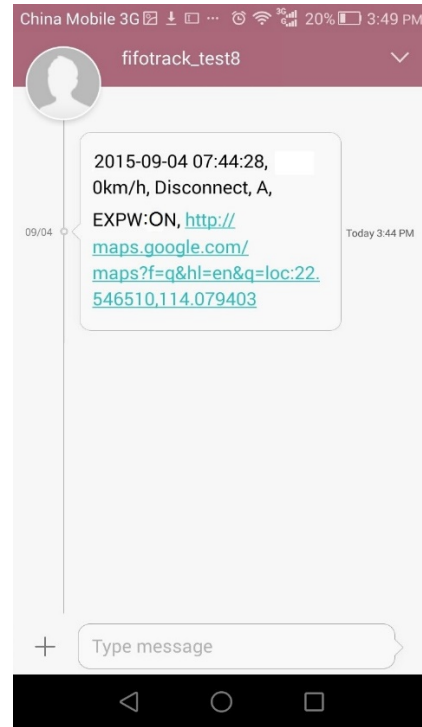
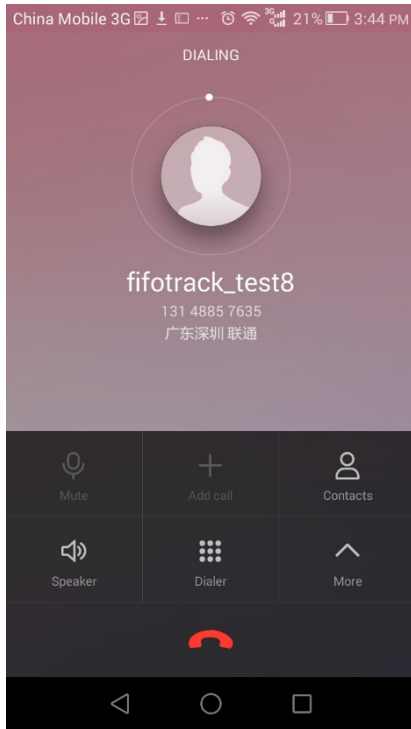
- ⚠ Don't install the Device where shielded by metal. For example, inside a metal can.



Top side of S30

8.3 Tracking by Calling

Call the SIM card number inside S30, you will get a SMS reply with Google map link. Click it for specific map location.



8.4 SMS Reply Content Example

2015-09-04 07:44:28, 0km/h, Disconnect, A, EXPW:ON,<http://maps.google.com/maps?f=q&hl=en&q=loc:22.546510,114.079403>

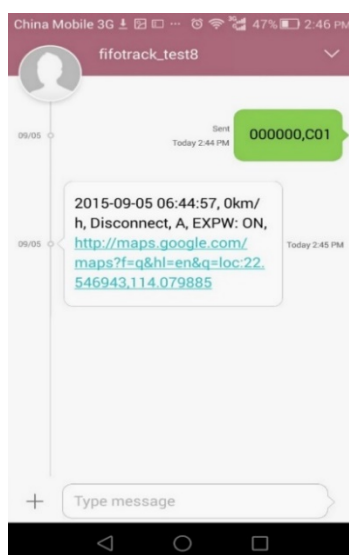
SMS Reply Format:

Field	Detail	Remarks
2015-09-04 07:44:28	Date and time, format YYMMDD hh:mm:ss	Date and time
0Km/h	Speed is 0km/h	Speed
Disconnect	GPRS disconnect	GPRS connection status, "disconnect" or "connect".
A	GPS fixed	GPS Status, "A" means GPS valid, "V" means GPS invalid.
EXPW:ON	External power on	External power status. "ON" means external power normal, "OFF" means external power cut.
http://maps.google.com/maps?f=q&hl=en&q=loc:22.546510,114.079403	Google map link, latitude in the front of longitude after "Loc". Unit degree Latitude=22.546510° Longitude=114.079403°	Google map link with latitude and longitude, which can be opened directly on smart phone.

8.5 Tracking by SMS Command - C01

SMS Command: 000000,C01

SMS Reply: Current location

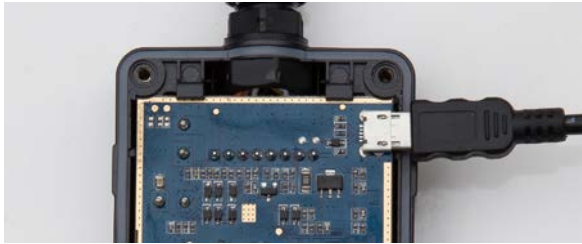


Note: Default SMS password is "000000", set new SMS password with B10 command.

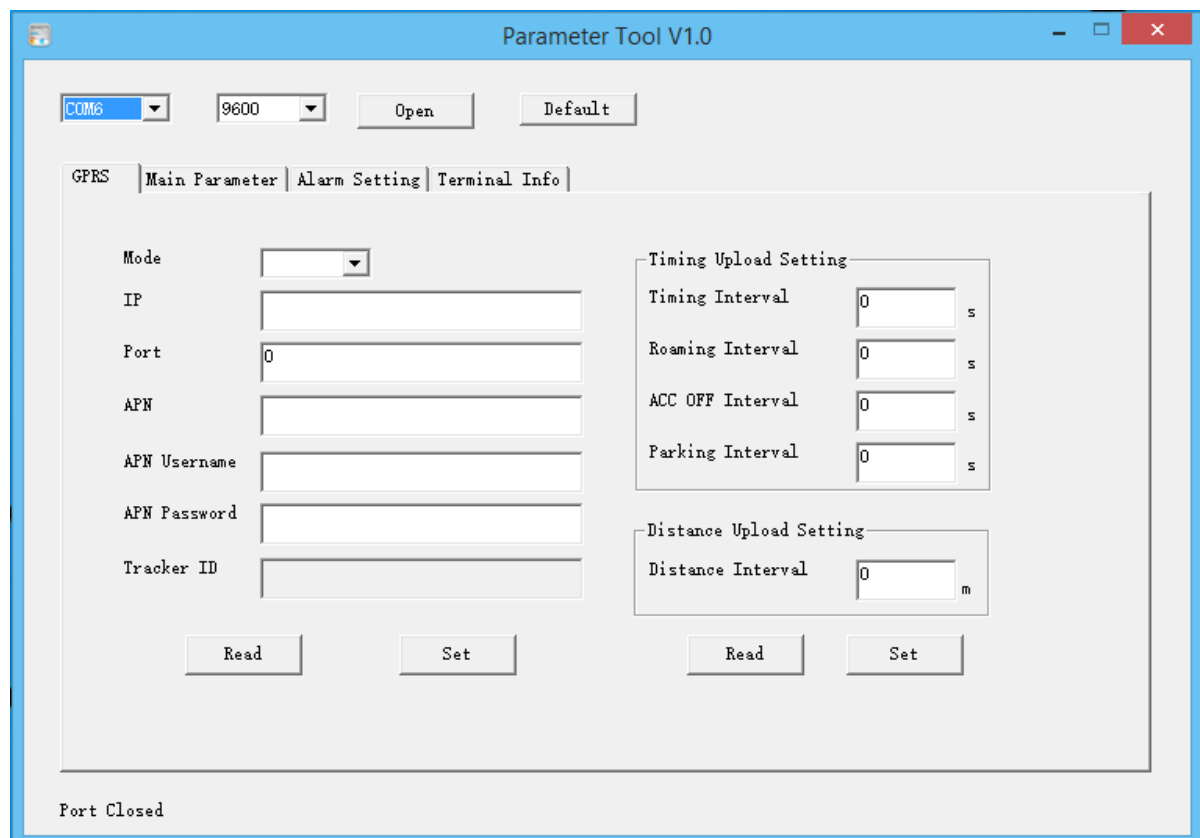
Please refer to < fifotrack S30 Command List > for more details.

8.6 Configuration on PC

fifotrack company provide <FIFOTRACK PARAMETER TOOL> for configuration. Please download USB cable driver and install it before using parameter tool. Refer to <USB CABLE DRIVER INSTALLATION GUIDE> if need.



Connect S30 to PC with USB cable. Run “fifotrack Parameter Tool” software which will identify port automatically and read all of the current parameters.



Please read <FIFOTRACK PARAMETER TOOL USER GUIDE> for more details.

8.7 Platform Tracking

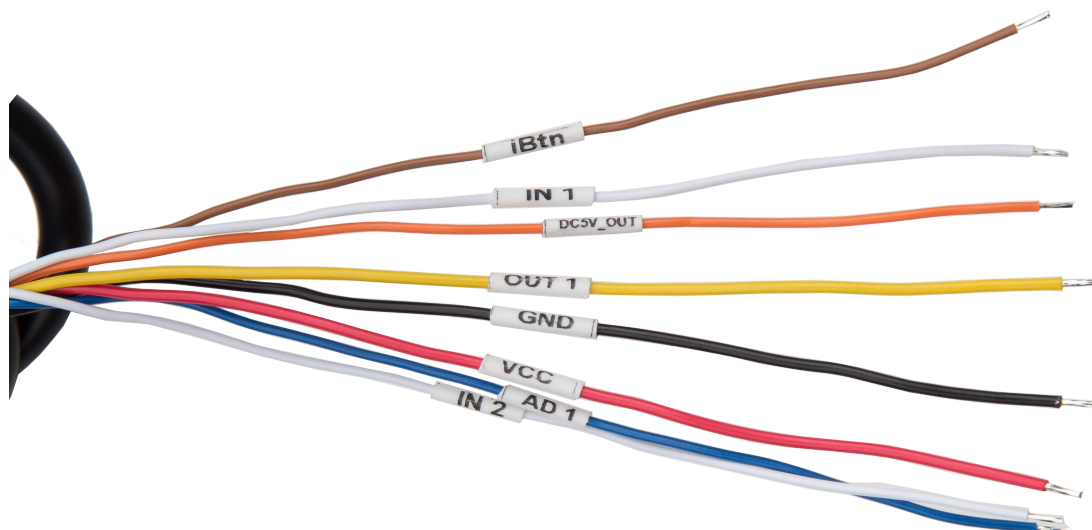
You can use SMS commands B00, B01, B02, B03 to set server IP, port, APN and GPRS uploading interval. Sales will send specific guide file to you for sample trial.

You can also configure those parameters via parameter tool software on PC.

9 Device Installation

9.1 I/O Installation

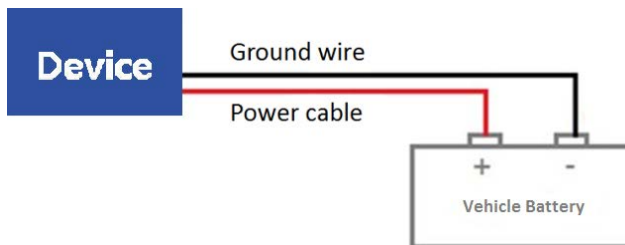
I/O wire is composed by 8 Pins cables as follows.



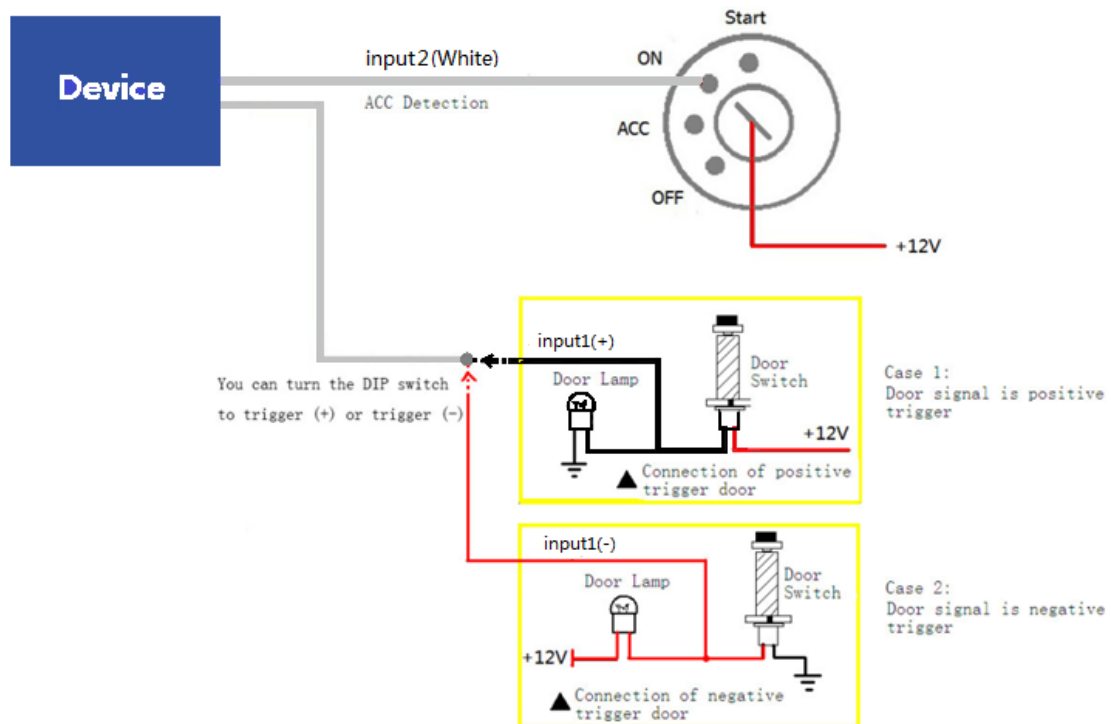
I/O	Color	Function
VCC	Red	Positive power, connect to positive of vehicle battery, input voltage range 8-92V
GND	Black	Ground, connect to negative of vehicle battery or the vehicle's iron part.
IN1	White	Digital input1, custom input, can be configured to negative or positive. Default is negative input.
IN2	White	Digital input2, positive input, default connect to ACC for status

		detection.
AD1	Blue	12 bits analog input, voltage range 0-12V. Connect to external sensor. For example, fuel sensor.
OUT1	Yellow	Output1 Open drain type Output on: Maximum current 500mA Output off: open drain
iBtn	Brown	For iButton or temperature sensor
DC5V_OUT	Orange	Provide power to temperature sensor

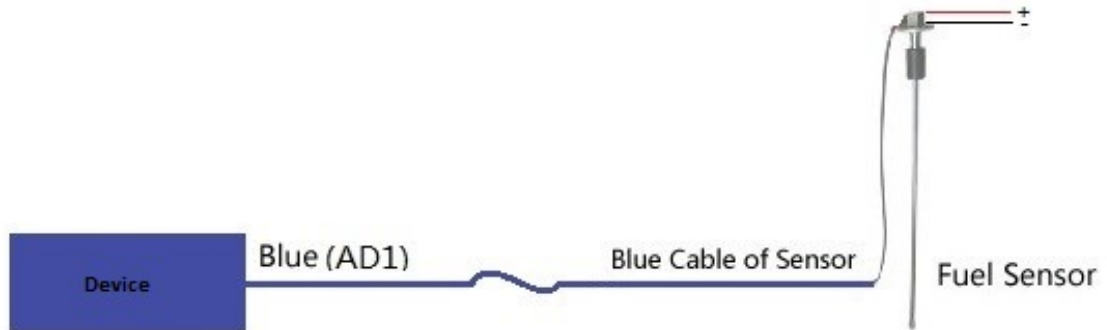
9.2 Power/Ground Cable



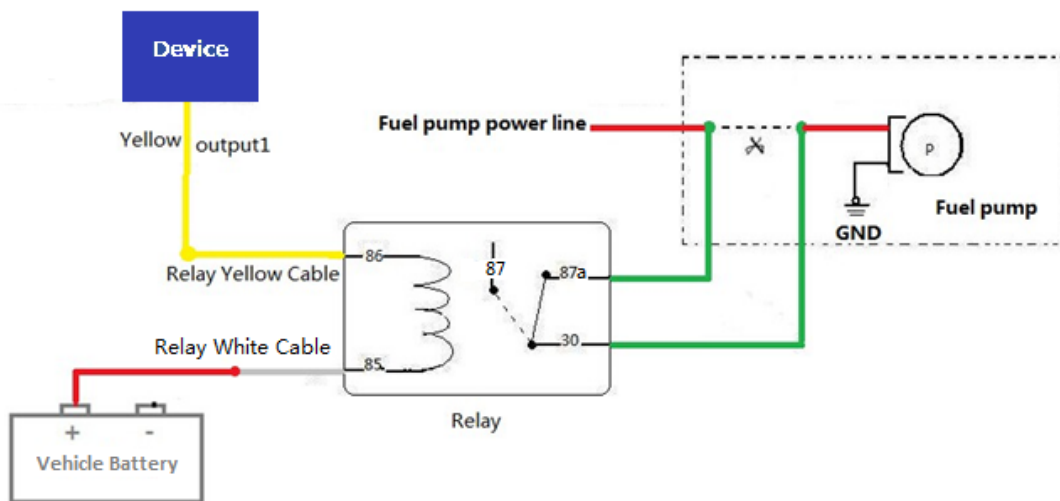
9.3 Positive/Negative Digital Input (IN1/IN2)



9.4 Analog Input(AD1)



9.5 Output control (OUT1)



Please e-mail us at info@fifotrack.com if any question or feedback.