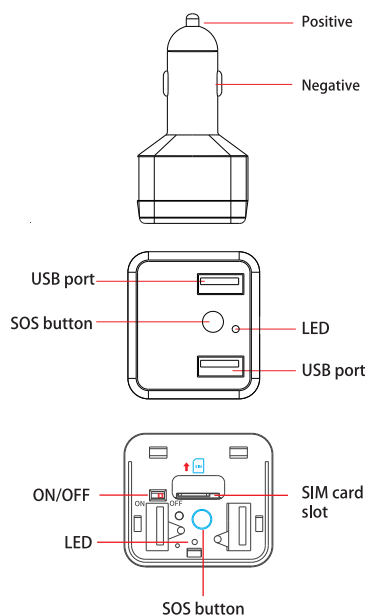
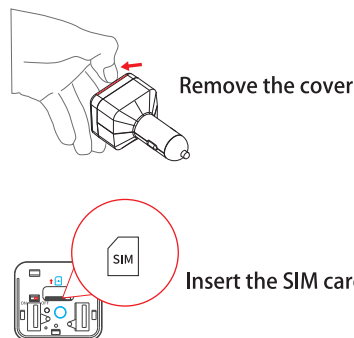


Overview

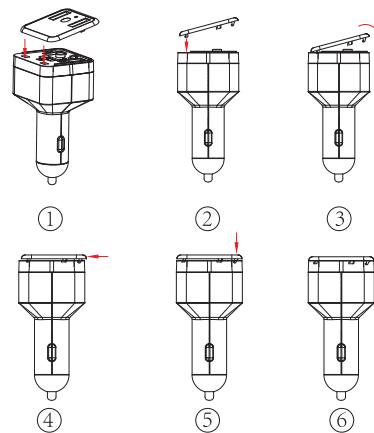


Insert SIM card

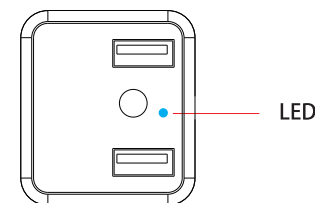
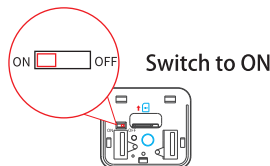
- Nano SIM card
- The SIM card should have access to SMS and GPRS service.



Carefully assemble the cover as showed by the following pictures:



Power on



- LED keeps ON after insert the SIM card and the switch is in ON position.

If SIM card was successfully read, the LED will flicker 4 times before off.

If SIM card reading failed, the LED will be OFF in 3 minutes.

Power off

Plug out the charger and turn the switch to OFF position to power off the device.

If the device is plugged out unexpectedly, the alarm will be triggered and message will be sent.

Platform & APP

Please refer to the designated service platform or APP to set and operate the device.

Set the APN

Please send SMS command to the device SIM card number to set the APN parameter. The device will reply "OK" automatically if setting successful.

SMS command: **APN,APN name#**
e.g: APN,internet#

Some operators may have username and password:
SMS command: **APN,APNname, username,password#**
e.g: APN,internet,CLIENTE,AMENA#

Set the Server

Default platform is www.tracksolid.com
To connect to the other platform, please send the SMS command to change the DNS or server IP.
DNS: **SERVER,1,DNS,Port,0#**

E.g. **SERVER,1,www.gpsdev.tracksolid.com,21100,0#**
IP: **SERVER,0,IP,Port,0#**
E.g. **SERVER,0,211.154.135.113,8011,0#**
It will reply "OK" after set successfully.

Set SOS number

Add SOS number
SMS command:
SOS,A,No.1,No.2,No.3#
"A" means to add new numbers, for example:
SOS,A,13510905991,13510905992,13510905993#
If set successfully, there is a "success" reply SMS.

Delete SOS number
SMS command:
SOS,D,mobile number#
For example:
SOS,D,13527852360# means to delete the 13527852360 directly.

You can set SOS number via the platform after activating the terminal.

Check location

SMS command **"WHERE#"**
The device will send a location message automatically. You can get the coordinates. If the device does not search any information of location, it will send "No data" to the cell phone.

Example:
Lat:N22.571285, Lon:E113.877115,
Course:42.20, Speed:0.0740, DateTime:
10-11-23 22:28:51

SMS command **"URL#"**,
The device will send a location Google Map link. If the device does not search any information of location, it will send "No data" to the cell phone.

Example:
<Date Time: 10-11-23 23:42:51>
<http://maps.google.com/maps?q=N22.571490,E113.877103>

Go to the platform website offered by dealers to check your location.

Listen-in

SMS command: **Monitor#**
Send this command to the device, the device will reply "OK" and call the SOS number. After the call connected, the SOS number can hear the sound around the device.

SOS call

Press SOS button for more than 3s to activate SOS alarm. Meanwhile the device will send an address information message to the SOS number.

Geo-fence

You can set maximum **5 geo-fence areas**.
When the device enters or leaves a geofence area a text message will be sent to the designated SOS numbers.

Technical specifications

- Battery: 3.7V/130mAh lithium-polymer battery
- Network Type: GSM
- Frequency: GSM 850/900/1800 / 1900MHz
- 5V USB charging port
- Working voltage: 9-15VDC
- Working temperature: -20° ~ 60°
- Humidity range: 5% - 95% non-condensing
- Dimensions: 84.0*44.0*38.0mm
- Weight: 102.8G

Quick Start Guide Car Charger GPS Tracker

V1.2

